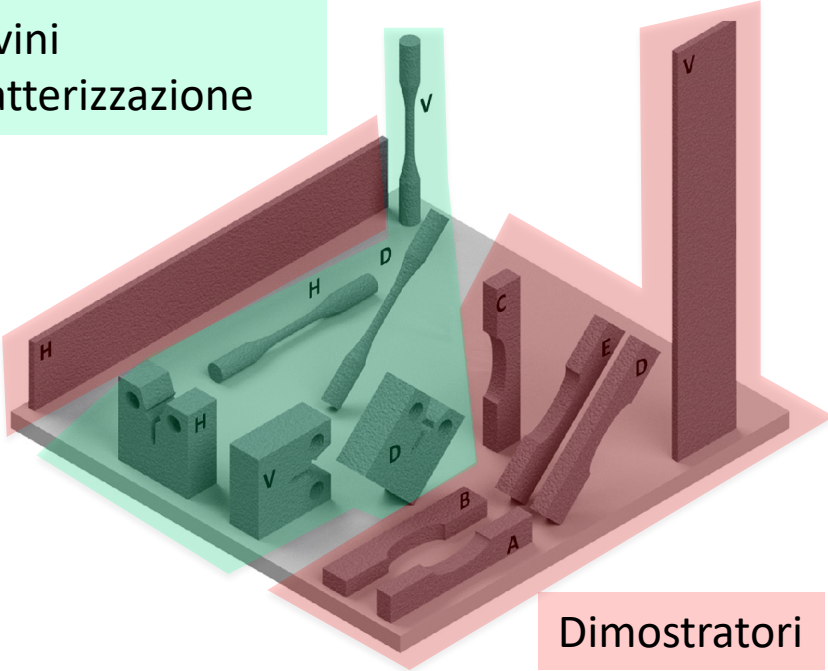


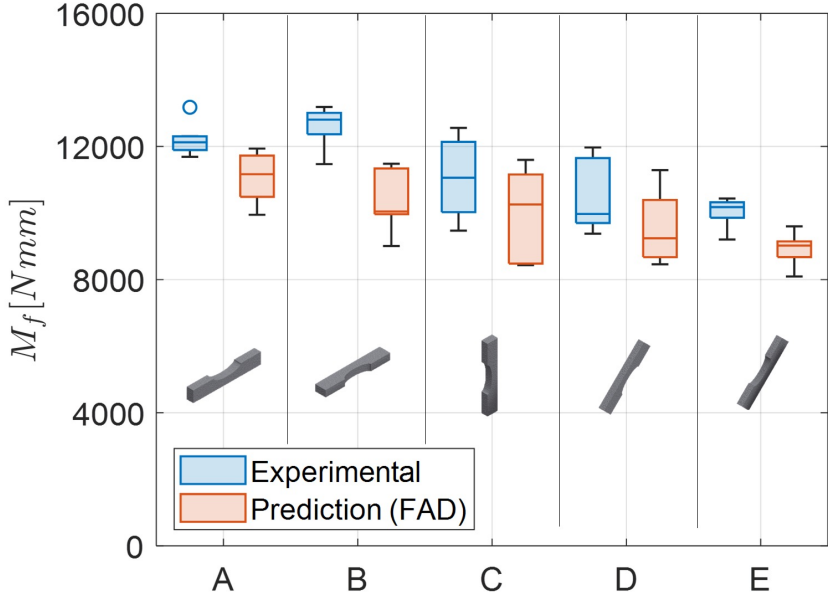
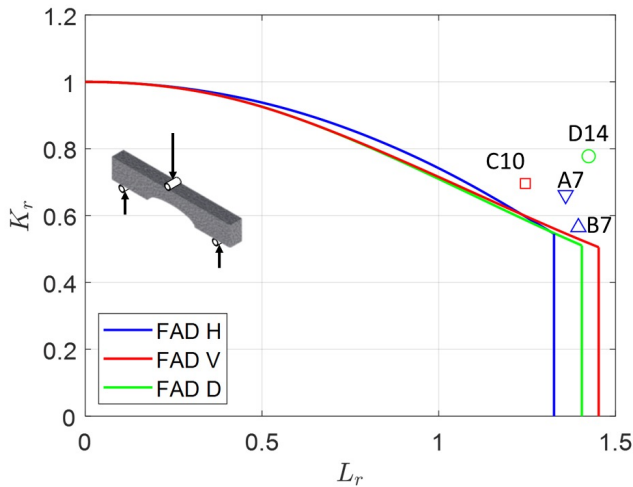
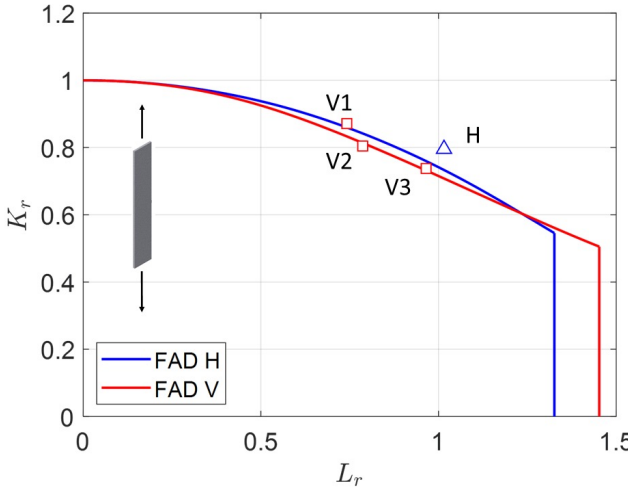
Static strength of flawed Amed Ti6AL4V

Recently we have performed a wide research activity on the static resistance of flawed AMed AlSi10Mg alloy.

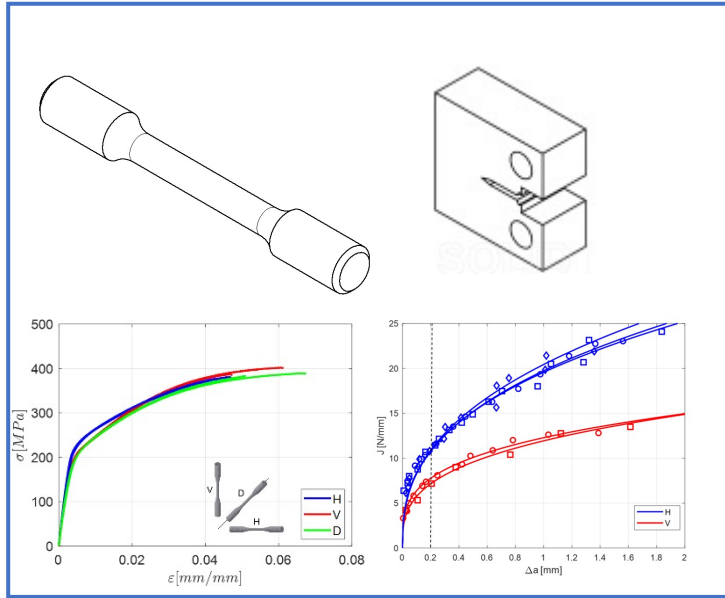
Provini caratterizzazione



Dimostratori



Defect acceptability for static applications (IAMSPACE – ESA Project)

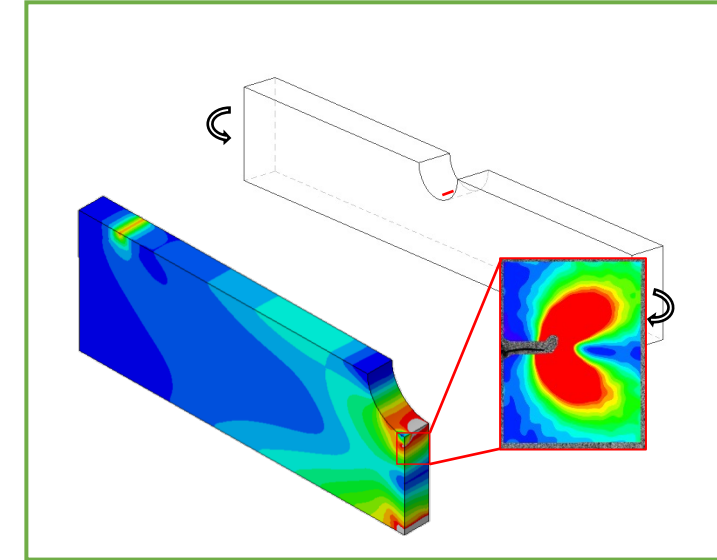


Characterization specimens

Validation of simple method for defect acceptability under static loads

Meso-scale demonstrators

Full-scale demonstrators (static test)



Supervisors:
S. Beretta
G. Minerva

Validation of the procedures for static assessment of flawed structures onto a space component:

- experiments;
- numerical FE analyses;
- full-scale experiments

